

- Dry ceramic sensor
- Ranges from 10 mbar to 60 bar
- Global error < 0,2% F.S.
- High overload capability
- Adjustable range (Turndown) 1:5
- Analog output: 4...20 mA



## Pressure transmitter P 126

### Technical data:

|                      |  |
|----------------------|--|
| Range:               | 0...10 mbar to 0...60 bar              |
| Output signal:       | 4...20 mA, 2-wire                      |
| Global error:        | < 0,2% F.S.                            |
| Response time:       | 200 ms<br>(other available on request) |
| Supply voltage:      | 9...32V DC, max. 30 mA                 |
| Ambient temperature: | -25...80 °C                            |
| Fluid temperature:   | -40...100 °C (125 °C < 0,5h)           |
| Thermal drift:       | < 0,015%/K F.S.                        |
| Process connection:  | stainless steel 1.4404                 |
| Housing:             | stainless steel 1.4301                 |
| Protection class:    | IP 65                                  |
| Sensor:              | ceramic AL <sub>2</sub> O <sub>3</sub> |

**Nöding**

Meßtechnik

## Ranges

## Ordering code

| range           | gauge | absolute | adjust. range  | overload (bar) |
|-----------------|-------|----------|----------------|----------------|
| 0...10 mbar*    | A4    |          | 10...50 mbar   | - 0,3 / 4      |
| 0...20 mbar*    | A6    |          | 10...50 mbar   | - 0,3 / 4      |
| 0...25 mbar*    | A7    |          | 10...50 mbar   | - 0,3 / 4      |
| 0...40 mbar*    | A8    |          | 20...100 mbar  | - 0,3 / 4      |
| 0...60 mbar*    | A9    |          | 20...100 mbar  | - 0,3 / 4      |
| 0...100 mbar    | 00    |          | 25...120 mbar  | - 0,3 / 4      |
| 0...160 mbar    | 01    |          | 40...200 mbar  | - 0,6 / 5      |
| 0...200 mbar    | B1    | B2       | 40...200 mbar  | - 1 / 6        |
| 0...250 mbar    | 02    | 27       | 80 ...400 mbar | - 1 / 6        |
| 0...0,4 bar     | 03    | 28       | 80 ...400 mbar | - 1 / 6        |
| 0...0,6 bar     | 04    | 29       | 0,2...1 bar    | - 1 / 10       |
| 0...1 bar       | 05    | 30       | 0,2...1 bar    | - 1 / 10       |
| 0...1,6 bar     | 06    | 31       | 0,4...2 bar    | - 1 / 18       |
| 0...2 bar       | B3    | B4       | 0,4...2 bar    | - 1 / 18       |
| 0...2,5 bar     | 07    | 32       | 0,8...4 bar    | - 1 / 18       |
| 0...4 bar       | 08    | 33       | 0,8...4 bar    | - 1 / 25       |
| 0...6 bar       | 09    | 34       | 2...10 bar     | - 1 / 40       |
| 0...10 bar      | 10    | 35       | 2...10 bar     | - 1 / 40       |
| 0...16 bar      | 11    | 36       | 4...20 bar     | - 1 / 40       |
| 0...20 bar      | B5    | B6       | 4...20 bar     | - 1 / 40       |
| 0...25 bar      | 12    | 37       | 8...40 bar     | - 1 / 40       |
| 0...40 bar      | 13    | 38       | 8...40 bar     | - 1 / 60       |
| 0...60 bar      | 14    | 39       | 15...70 bar    | - 1 / 100      |
| -100...0 mbar   | C4    |          | 20...100 mbar  | - 0,3 / 4      |
| -100...100 mbar | C5    |          | 20...100 mbar  | - 0,3 / 4      |
| -200...0 mbar   | D2    |          | 40...200 mbar  | - 1 / 6        |
| -200...200 mbar | D3    |          | 40...200 mbar  | - 1 / 6        |
| -1...0 bar      | D4    |          | 0,2...1 bar    | - 1 / 6        |
| -1...0,6bar     | D5    |          | 0,2...1 bar    | - 1 / 10       |
| -1...1 bar      | D6    |          | 0,2...1 bar    | - 1 / 10       |
| -1...1,5bar     | D7    |          | 0,4...2 bar    | - 1 / 18       |
| -1...3 bar      | D8    |          | 0,8...4 bar    | - 1 / 25       |
| -1...5 bar      | D9    |          | 2...10 bar     | - 1 / 40       |
| -1...9 bar      | E1    |          | 2...10 bar     | - 1 / 40       |
| -1...15 bar     | E2    |          | 4...19 bar     | - 1 / 40       |
| -1...19 bar     | E3    |          | 4...19 bar     | - 1 / 40       |

\* Global error 0,5% F.S.

### Output signal

4 4...20 mA 2-wire

### Range

See table on the left  
99 Special range

### Process connection and material

2 1/2 - 14 NPT, 1.4404  
3 G 1/2 A DIN 16288, 1.4404  
4 G 1/2 A and G 1/4 female, 1.4404  
G G 1/2 A and 11,8 mm pressure port, 1.4404  
9 Special version

### Sensor seal

1 FPM (Viton) Standard  
2 NBR (Nitril)  
3 EPDM  
4 Fluor-Silicon  
5 Kalrez  
9 Special version

### Housing

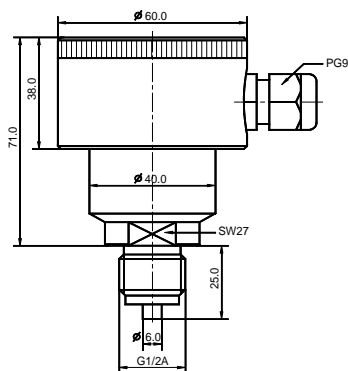
1 Stainless steel 1. 4301

### Options

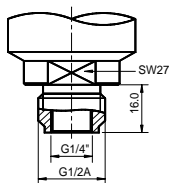
R Ceramic sensor 99,9% Al<sub>2</sub>O<sub>3</sub>

P126- [ ] - [ ] [ ] [ ] [ ] [ ]

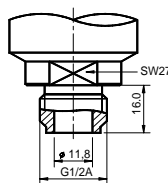
## Dimensions



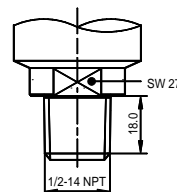
G 1/2 A DIN 16288



G1/2 A / G1/4



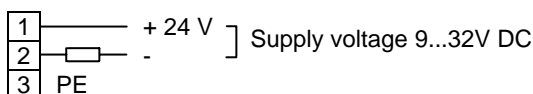
G1/2 A



1/2-14 NPT

## Electrical connections

### 4...20 mA, 2-wire



Modifications reserved without notice, 09.03