

- Stainless steel housing 1.4571, IP 68
- Plastic housing PP or PVDF
- Ranges from 40 mbar to 60 bar
- Global error < 0,2% F.S.
- High overload capability
- Ex II 1G EEx ia IIC T4/T6
- Cable according Bg VV-1.12.96-
Specifications, suitable for food and
drinking water



Level transmitter P 133

Technical data:

Ranges:	0...40 mbar to 0...60 bar
Output signal:	4...20 mA, 2-wire
Global error:	< 0,2% F.S.
Response time:	200 ms (other available on request)
Supply voltage:	9...32V DC, max. 30 mA (12...30V Ex-version)
Ambient temperature:	-25...80 °C (-25...80 °C at EEx ia IIC T4) (-25...50 °C at EEx ia IIC T6)
Thermal drift:	< 0,015%/K (span)
Housing:	stainless steel, 1.4571, IP 68
Weight of sensor:	approx. 0,5 kg
Weight of cable:	0,5 kg / 10m
Electr. connection:	PE cable with pressure compensation capillary and filter

Nöding

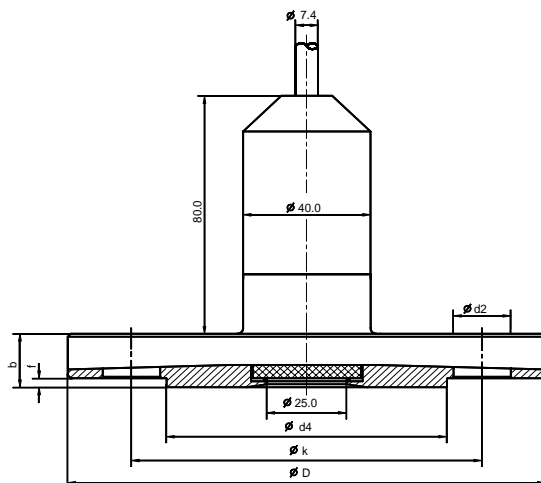
Meßtechnik

Ranges

range in bar		range in mH ₂ O		overload (bar)
0...40 mbar*	A8	0...400 mmH ₂ O*	W8	-0,3/4
0...50 mbar*	B0	0...500 mmH ₂ O*	W0	-0,3/4
0...60 mbar*	A9	0...600 mmH ₂ O*	W9	-0,3/4
0...100 mbar	00	0...1 mH ₂ O	50	-0,3/4
0...160 mbar	01	0...1,6 mH ₂ O	51	-0,6/5
0...200 mbar	B1	0...2 mH ₂ O	W1	-1/6
0...250 mbar	02	0...2,5 mH ₂ O	52	-1/6
0...0,4 bar	03	0...4 mH ₂ O	53	-1/6
0...0,5 bar	B7	0...5 mH ₂ O	W2	-1/6
0...0,6 bar	04	0...6 mH ₂ O	54	-1/10
0...1,0 bar	05	0...10 mH ₂ O	55	-1/10
0...1,6 bar	06	0...16 mH ₂ O	56	-1/18
0...2,0 bar	B3	0...20 mH ₂ O	W3	-1/18
0...2,5 bar	07	0...25 mH ₂ O	57	-1/18
0...4,0 bar	08	0...40 mH ₂ O	58	-1/25
0...6,0 bar	09	0...60 mH ₂ O	59	-1/40
0...10 bar	10	0...100 mH ₂ O	60	-1/40
0...16 bar	11	0...160 mH ₂ O	61	-1/40
0...20 bar	B5	0...200 mH ₂ O	W5	-1/40
0...25 bar	12	0...250 mH ₂ O	62	-1/40
0...40 bar	13	0...400 mH ₂ O	63	-1/60
0...60 bar	14	0...600 mH ₂ O	64	-1/100

* Global error 0,5%

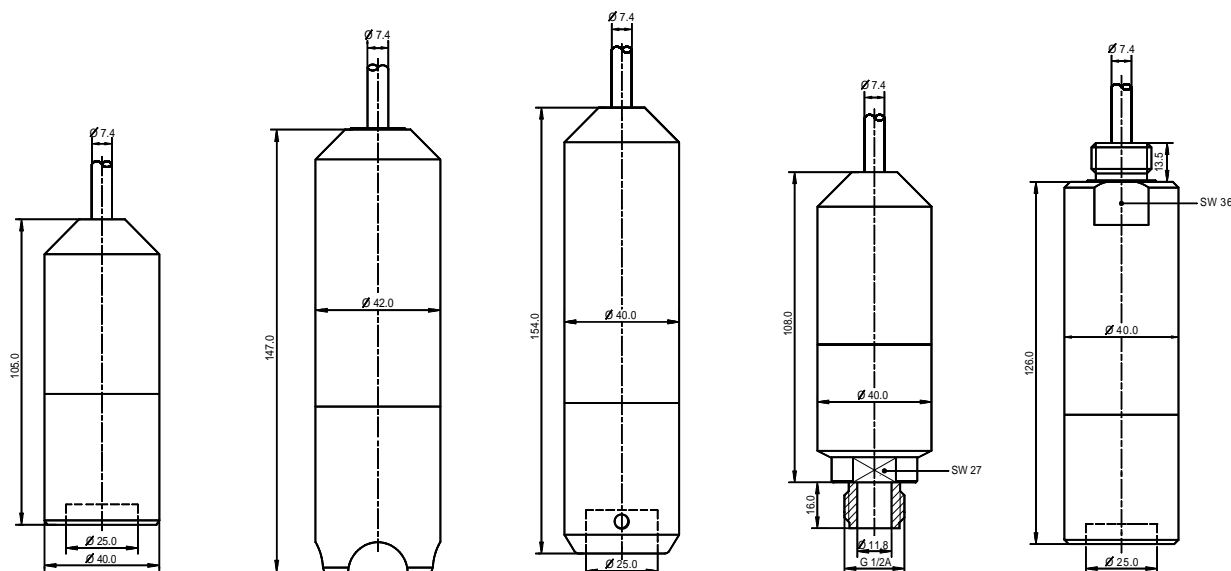
Dimensions



DN	PN	D	b	d2	k	f	d4	Bohrungen
25	10/40	115	18	14	85	2	68	4
40	10/40	150	18	18	110	3	88	4
50	40	165	20	18	125	3	102	4
80	40	200	24	18	160	3	138	8

Anschluß nach DIN 2501 Maße in (mm)

Dimensions



Version: 1

2

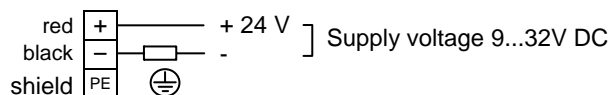
T/P

G

6

Electrical connections

4...20 mA, 2-wire



Modifications reserved without notice, 02.05

