

- Stainless steel housing 1.4571, IP 68
- Plastic housing PP or PVDF
- Ranges from 40 mbar to 60 bar
- Global error < 0,2% F.S.
- High overload capability
- Ex II 1G EEx ia IIC T4/T6
- Cable according Bg VV-1.12.96-
Specifications, suitable for food and
drinking water



Level transmitter P 133

Technical data:

Ranges:	0...40 mbar to 0...60 bar
Output signal:	4...20 mA, 2-wire
Global error:	< 0,2% F.S.
Response time:	200 ms (other available on request)
Supply voltage:	9...32V DC, max. 30 mA (12...30V Ex-version)
Ambient temperature:	-25...80 °C (-25...80 °C at EEx ia IIC T4) (-25...50 °C at EEx ia IIC T6)
Thermal drift:	< 0,015%/K (span)
Housing:	stainless steel, 1.4571, IP 68
Weight of sensor:	approx. 0,5 kg
Weight of cable:	0,5 kg / 10m
Electr. connection:	PE cable with pressure compensation capillary and filter

Nöding

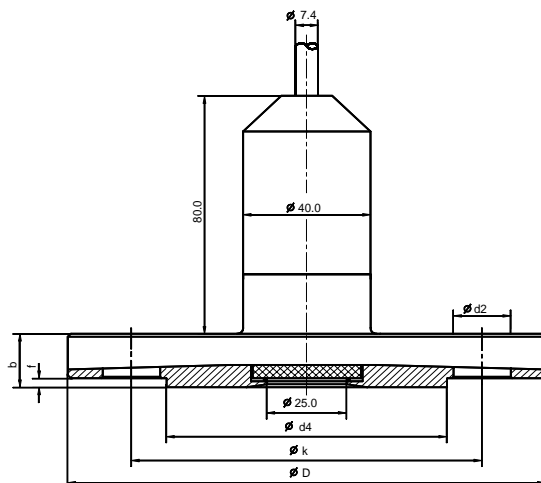
Meßtechnik

Ranges

range in bar		range in mH ₂ O		overload (bar)
0...40 mbar*	A8	0...400 mmH ₂ O*	W8	-0,3/4
0...50 mbar*	B0	0...500 mmH ₂ O*	W0	-0,3/4
0...60 mbar*	A9	0...600 mmH ₂ O*	W9	-0,3/4
0...100 mbar	00	0...1 mH ₂ O	50	-0,3/4
0...160 mbar	01	0...1,6 mH ₂ O	51	-0,6/5
0...200 mbar	B1	0...2 mH ₂ O	W1	-1/6
0...250 mbar	02	0...2,5 mH ₂ O	52	-1/6
0...0,4 bar	03	0...4 mH ₂ O	53	-1/6
0...0,5 bar	B7	0...5 mH ₂ O	W2	-1/6
0...0,6 bar	04	0...6 mH ₂ O	54	-1/10
0...1,0 bar	05	0...10 mH ₂ O	55	-1/10
0...1,6 bar	06	0...16 mH ₂ O	56	-1/18
0...2,0 bar	B3	0...20 mH ₂ O	W3	-1/18
0...2,5 bar	07	0...25 mH ₂ O	57	-1/18
0...4,0 bar	08	0...40 mH ₂ O	58	-1/25
0...6,0 bar	09	0...60 mH ₂ O	59	-1/40
0...10 bar	10	0...100 mH ₂ O	60	-1/40
0...16 bar	11	0...160 mH ₂ O	61	-1/40
0...20 bar	B5	0...200 mH ₂ O	W5	-1/40
0...25 bar	12	0...250 mH ₂ O	62	-1/40
0...40 bar	13	0...400 mH ₂ O	63	-1/60
0...60 bar	14	0...600 mH ₂ O	64	-1/100

* Global error 0,5%

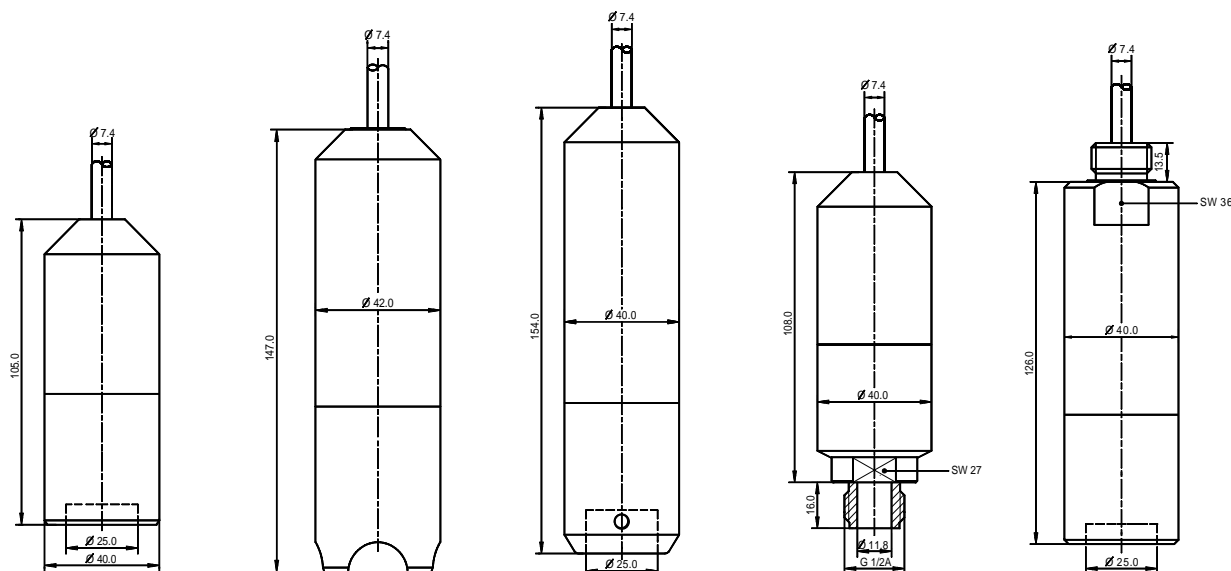
Dimensions



DN	PN	D	b	d2	k	f	d4	Bohrungen
25	10/40	115	18	14	85	2	68	4
40	10/40	150	18	18	110	3	88	4
50	40	165	20	18	125	3	102	4
80	40	200	24	18	160	3	138	8

Anschluß nach DIN 2501 Maße in (mm)

Dimensions



Version: 1

2

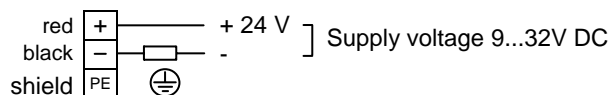
T/P

G

6

Electrical connections

4...20 mA, 2-wire



Modifications reserved without notice, 02.05

Output signal

4 4...20 mA 2-wire

E 4...20 mA 2-Leiter II 1G EEx ia IIC T4/T6

H 4...20 mA 2-wire -25...120 °C

Range

See table at page 2

99 Special range

Version / material sensor housing

- 1 1.4571 40 mm Ø
- 2 Synthetics polypropylene
- 4 1.4571 G ½ A u. G ¼ female
- 6 1.4571 G ½ A at the cable lead in
- G 1.4571 G ½ A and 11,8mm pressure port
- P Synthetics PVDF
- T 1.4571 147mm long, with 2 drill holes
- 7 1.4571 G ½ A, housing welded,
Ermeto-fitting at the top
- 8 1.4571 G ½ A u. G ¼ female, housing welded,
Ermeto-fitting at the top
- S 1.4571 40 mm Ø, housing welded,
10 mm Ermeto-fitting at the top
- R 1.4571 40 mm Ø 10 mm Ermeto-fitting at the top
- U Flange DN25 / PN40 DIN 2501 1.4571
- A Flange DN40 / PN40 DIN 2501 1.4571
- B Flange DN50 / PN40 DIN 2501 1.4571
- C Flange DN80 / PN40 DIN 2501 1.4571
- 1L 40 mm Ø 1.4539 (904L)
- 4L G ½ A and G ¼ female 1.4539 (904L)
- GL G ½ A and 11,8 mm pressure port 1.4539 (904L)
- 1B 40 mm Ø GC-CuSn12 (Bronze)
- GB G ½ A and 11,8 mm pressure port GC-CuSn12 (Bronze)
- UB Flange DN25 / PN 40 DIN 2501 GC-CuSn12 (Bronze)
- AB Flange DN40 / PN 40 DIN 2501 GC-CuSn12 (Bronze)
- 9 Special accomplishment

- Std. cable length** from 5m to 50m
only in 5m intervals
- 002 2m cable
 - 005 5m cable
 - 010 10m cable from 50m only in 10m intervals
 - 050 50m cable
- Special lengths quote in meters

Material cable

- 0 PE cable
- 1 FDR 25 cable (Diesel oil resistant)
- 2 PUR cable
- 3 PTFE (Teflon)
- B PE cable without shield, potted

Sensor seal

- 1 FPM (Viton) Standard
- 2 NBR (Nitril)
- 3 EPDM-Kautschuk
- 4 Flour-Silicon
- 5 Kalrez
- 6 HNBR

Options

- R Ceramic sensor 99,9% Al₂O₃

P 133 - [] - [] - []